



# CVPS Series

## LED Driver Specifications

Project \_\_\_\_\_

Date \_\_\_\_\_ Type \_\_\_\_\_



CVPS-150WM-12V-1248

### Features

- 100–277 VAC input
- 12 VDC or 24 VDC constant voltage output versions available
- Built-in short-circuit, overload, and over-temperature protection
- Multiple Class 2 outputs

### Application

These drivers are an excellent solution for the remote mounting of low voltage LED lights such as strips and light bars.

### Certifications and Compliances

150 W CVPS drivers are UL Recognized Components and are listed in compliance with UL 8750 (FKSZ2).

### Notes

### Available Models

- CVPS-150WM-12V-1248
- CVPS-150WM-24V-624

### Part Number Breakdown

Example: CVPS-150WM-24V-624

Family	Output Wattage	Driver Case	Output Voltage	Output Amperage
CVPS	150W [150 W]	M [aluminum housing]	12V [12 VDC]	1248 [4.16 A output (x3)]
			24V [24 VDC]	624 [3.12 A output (x2)]

### Optional Accessories

- 6 ft, 5-15P power cord (\_POWERCORD)

### Warranty

Five (5) Year Warranty

T 866.590.3533

F 314.972.6202

email: commercial-sales@superbrightleds.com

www.diode-drive.com

www.superbrightleds.com/cat/power-supplies

Rev V1 Date: 12/30/2019

Specifications are subject to change without notice.

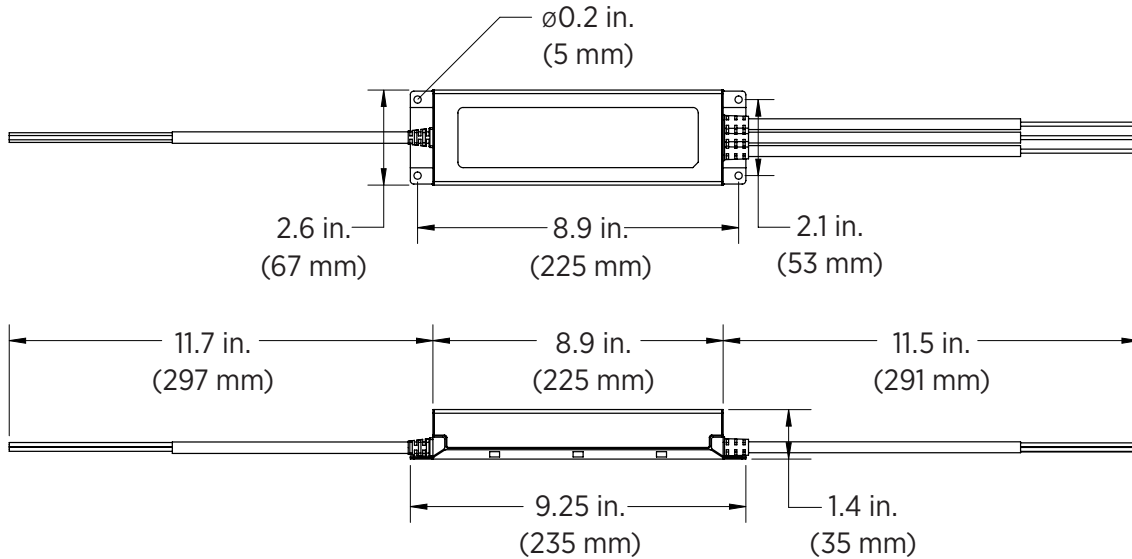
Printed in the U.S.A.

# CVPS Series

## LED Driver Specifications

### Dimensional Drawing

CVPS-150WM-12V-1248 shown, number of outputs will vary by model



### Specifications

Model		CVPS-150WM-12V-1248	CVPS-240WH-24V-624
Input Voltage		100-277 VAC	
Maximum Input Current		2.1 A	
Output Voltage		12 VDC	24 VDC
Maximum Output Wattage		150 W	
Maximum Output Current		4.16 A per channel (x3)	3.12 A per channel (x2)
Dimming		none	
Power Factor		≥ 0.95 (input)	
Short-circuit Protection		yes	
Overloading Protection		yes	
Leakage Current		<0.75 mA (@277 VAC)	
Hi-pot	I/P-O/P	3.75 kVAC/ 10mA/ 3S	
	I/P-Case	1.8k VAC/ 10mA/ 3S	
Ambient Operating Temperature		-40°-113° F (-40°-45° C)	
Over-temperature Protection		yes	
Operating Humidity		20-95% relative humidity, non-condensing	
IP Rating		IP68	
Weight		1.5 lb (0.68 kg)	2.15 lb (0.98 kg)
UL Standard		UL 879 and UL8750	

T 866.590.3533

F 314.972.6202

email: commercial-sales@superbrightleds.com

www.diode-drive.com

www.superbrightleds.com/cat/power-supplies