



# CPS Series

Wall-mounted LED Power Supply Specifications

Project \_\_\_\_\_

Date \_\_\_\_\_ Type \_\_\_\_\_



CPS-12V-18W

### Features

- 120 VAC input
- 12 VDC or 24 VDC output versions available
- 1-15P wall plug
- 5.5 mm barrel connector output

### Application

These power supplies are an excellent solution for powering low voltage LED lights such as strips and light bars.

### Certifications and Compliances

CPS power supplies are UL Listed in compliance with UL 1310.



### Dimensional Drawing

Model	CPS-x-12W	CPS-x-18W	CPS-x-24W	CPS-x-36W
A	1.5 in. (38 mm)	1.6 in. (40 mm)	1.7 in. (43 mm)	1.7 in. (43 mm)
B	2.8 in. (72 mm)	2.9 in. (75 mm)	3.7 in. (93 mm)	3.7 in. (93 mm)
C	48.5 in. (1.23 m)	48.5 in. (1.23 m)	48.5 in. (1.23 m)	48.5 in. (1.23 m)
D	1.7 in. (43 mm)	1.6 in. (41 mm)	1.8 in. (46 mm)	1.8 in. (46 mm)

### Available Models

#### 12 VDC Output

- CPS-12V-12W
- CPS-12V-18W
- CPS-12V-24W
- CPS-12V-36W

#### 24 VDC Output

- CPS-24V-12W
- CPS-24V-18W
- CPS-24V-24W
- CPS-24V-36W

### Part Number Breakdown

Example: CPS-12V-18W

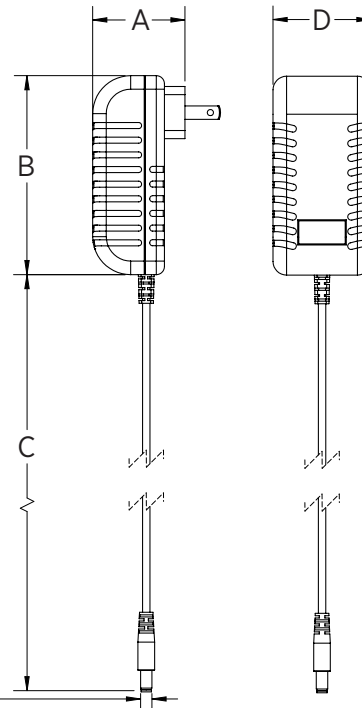
Family	Output Voltage	Output Wattage
CPS	12V [12 V] or 24V [24 V]	12W [12 W]
		18W [18 W]
		24W [24 W]
		36W [36 W]

### Optional Accessories

- female 5.5 mm DC barrel connector (CPS-F2ST)

### Warranty

Two (2) Year Warranty



T 866.590.3533

F 314.972.6202

email: commercial-sales@superbrightleds.com

www.diode-drive.com

www.superbrightleds.com/cat/power-supplies

Rev V1 Date: 1/7/2020

Specifications are subject to change without notice.

Printed in the U.S.A.



# CVPSD Series

Wall-mounted LED Power Supply Specifications

### General Specifications (all models)

Model	CPS-x-12W	CPS-x-18W	CPS-x-24W	CPS-x-36W
Dimming	none			
Ambient Operating Temperature	32°-104° F (0°-40° C)			
Input Connection	1-15P (standard two-prong wall plug)			
Output Connection	DC barrel jack (5.5 mm / 2.1 mm)			

### 12 VDC Output Model Specifications

Model	CPS-12V-12W	CPS-12V-18W	CPS-12V-24W	CPS-12V-36W
Input Voltage	120 VAC			
Maximum Input Wattage	48 W	48 W	96 W	144 W
Maximum Input Current	0.4 A	0.4 A	0.8 A	1.2 A
Output Voltage	12 VDC			
Output Wattage	12 W	18 W	24 W	36 W
Maximum Output Current	1 A	1.5 A	2 A	3 A

### 24 VDC Output Model Specifications

Model	CPS-24V-12W	CPS-24V-18W	CPS-24V-24W	CPS-24V-36W
Input Voltage	120 VAC			
Maximum Input Wattage	48 W	48 W	96 W	144 W
Maximum Input Current	0.4 A	0.4 A	0.8 A	1.2 A
Output Voltage	24 VDC			
Output Wattage	12 W	18 W	24 W	36 W
Maximum Output Current	0.5 A	0.75 A	1 A	1.5 A

### Notes

T 866.590.3533

F 314.972.6202

email: [commercial-sales@superbrightleds.com](mailto:commercial-sales@superbrightleds.com)

[www.diode-drive.com](http://www.diode-drive.com)

[www.superbrightleds.com/cat/power-supplies](http://www.superbrightleds.com/cat/power-supplies)

Specifications are subject to change without notice.