



# CPS Series

Desktop LED Power Supply Specifications

Project \_\_\_\_\_

Date \_\_\_\_\_ Type \_\_\_\_\_



CPS-12V-60W

### Features

- 120 VAC input
- 12 VDC or 24 VDC output versions available
- 1-15P wall plug
- 5.5 mm / 2.1 mm barrel connector output

### Application

These power supplies are an excellent solution for powering low voltage LED lights such as strips and light bars.

### Warranty

Two (2) Year Warranty

### Certifications and Compliances

CPS power supplies are UL Listed in compliance with UL 1310.



### Notes

### Available Models

12 VDC Output

CPS-12V-60W

24 VDC Output

CPS-24V-60W

### Part Number Breakdown

Example: CPS-12V-60W

Family	Output Voltage	Output Wattage
CPS	12V [12 V] or 24V [24 V]	60W [60 W]

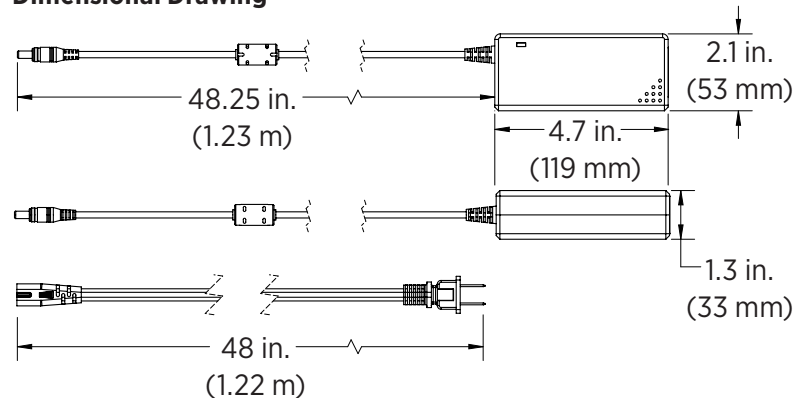
### Optional Accessories

female 5.5 mm DC barrel connector (CPS-F2ST)

### Specifications

Model	CPS-x-12W	CPS-x-18W
Dimming	none	
Ambient Operating Temperature	32°-104° F (0°-40° C)	
Input Connection	1-15P (standard two-prong wall plug)	
Output Connection	DC barrel jack (5.5 mm / 2.1 mm)	
Input Voltage	120 VAC	
Maximum Input Wattage	180 W	
Maximum Input Current	1.8 A	
Output Voltage	12 VDC	24 VDC
Output Wattage	60 W	
Maximum Output Current	5 A	2.5 A

### Dimensional Drawing



T 866.590.3533

F 314.972.6202

email: commercial-sales@superbrightleds.com

www.diode-drive.com

www.superbrightleds.com/cat/power-supplies

Rev V1 Date: 1/08/2020

Specifications are subject to change without notice.

Printed in the U.S.A.