



CPS Series

Desktop LED Power Supply Specifications

Project _____

Date _____ Type _____



CPS-12V-60W

Features

- 120 VAC input
- 5 VDC, 12 VDC, and 24 VDC output versions
- 1-15P wall plug
- 5.5 mm / 2.1 mm barrel connector output

Application

These power supplies are an excellent solution for powering low voltage LED lights such as strips and light bars.

Warranty

Two (2) Year Warranty

Certifications and Compliances

CPS power supplies are UL Listed in compliance with UL 1310.



Available Models

5 VDC Output

CPS-5V-50W

12 VDC Output

CPS-12V-60W

CPS-12V-120W

24 VDC Output

CPS-24V-60W

CPS-24V-120W

Part Number Breakdown

Example: CPS-12V-60W

Family	Output Voltage	Output Wattage
CPS	5V [5 VDC]	50W [50 W]
	12V [12 VDC] or	60W [60 W]
	24V [24 VDC]	120W [120 W]

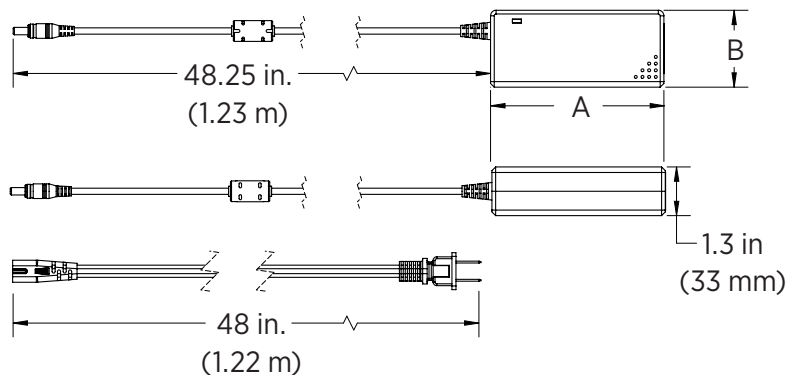
Optional Accessories

female 5.5 mm DC barrel connector (CPS-F2ST)

Specifications

Model	CPS-x-50W	CPS-x-60W	CPS-x-120W
Dimming	none		
Ambient Operating Temperature	32°-104° F (0°-40° C)		
Input Connection	1-15P (standard two-prong wall plug)		
Output Connection	DC barrel jack (5.5 mm / 2.1 mm)		
Input Voltage	120 VAC		
Maximum Input Wattage	180 W	180 W	200 W
Maximum Input Current	1.8 A	1.8 A	2.0 A
Output Voltage	5 VDC	12 VDC	24 VDC
Output Wattage	50 W	60 W	120 W
Maximum Output Current	10 A	5 A	2.5 A

Dimensional Drawing



Model	CPS-x-50W CPS-x-60W	CPS-x-120W
A	4.7 in. (119 mm)	6.8 in. (172 mm)
B	2.1 in. (53 mm)	2.9 in. (73 mm)

T 866.811.5550

F 314.972.6202

email: commercial-sales@superbrightleds.com

www.diode-drive.com

www.superbrightleds.com/cat/power-supplies

Rev V2 Date: 8/18/2020

Specifications are subject to change without notice.

Printed in the U.S.A.