

COB LED Strip Lights

COB Series Single Color/CCT Strips

Project _____

Date _____ Type _____



Description

COB Series LED strip lights are designed to produce a smooth, seamless line of light, with options to suit both wet and dry locations. Chip-on-board technology reduces heat build up for extended life and has a higher density of LEDs for a more intense, uniform light. The superior design shows no visible dots or hot spots—even without a diffuser—making it ideal for reflective surfaces such as granite countertops and tile floors. The protective silicone sleeve on IP65 rated models allows the strip to be installed in areas exposed to splashes or low pressure sprays of water. Improved flexibility of the COB design can also allow light to be wrapped along edges and curved surfaces.

Construction

- Flexible COB design for highly adaptable mounting
- Lowest profile dot-free light solution
- 2.46 in. (62.5 mm) segment length (requires resealing when cut on IP65 versions)
- High density design with 156 LEDs/ft (512 LEDs/m)
- 8 mm strip width (10 mm with insulation on IP65 strips)
- Adhesive silicone backing

Electrical

- 24 VDC input
- 50 W total (3.05 W/ft)
- 30,000 hour lifetime (L70)
- 16.4 ft (5 m) max run
- 0-100% dimmable
- 5.5 mm x 2.1 mm barrel connector and included 22 AWG pigtail adapter

Available Versions

Non-Weatherproof Single CCT

- STN-A22K90-O32-08L5M-24V
- STN-A27K90-O32-08L5M-24V
- STN-A30K90-O32-08L5M-24V
- STN-A40K90-O32-08L5M-24V
- STN-A50K90-O32-08L5M-24V
- STN-A65K90-O32-08L5M-24V

Weatherproof Single CCT

- STW-A22K90-O32D-08L5M-24V
- STW-A27K90-O32D-08L5M-24V
- STW-A30K90-O32D-08L5M-24V
- STW-A40K90-O32D-08L5M-24V
- STW-A50K90-O32D-08L5M-24V
- STW-A65K90-O32D-08L5M-24V

Non-Weatherproof Single Color

- STN-BBLU-O32A-08L5M-24V
- STN-BGRE-O32A-08L5M-24V
- STN-BRED-O32A-08L5M-24V

Weatherproof Single Color

- STW-BBLU-O32D-08L5M-24V
- STW-BGRE-O32D-08L5M-24V
- STW-BRED-O32D-08L5M-24V

Photometrics

- Single color and white CCT versions available
- 180° beam angle

Accessories

Super Bright LEDs offers a variety of controllers, mounting, and wiring solutions compatible with COB series strips as well as premium quality DiodeDrive power supplies to complete any type of installation.

Applications

Some common applications include sign and display lighting, edge lighting, cove lighting, backlighting, theater lighting, retail lighting, and accent lighting for design and architectural applications. Due to their unique design these are especially well suited for use with reflective materials such as granite, tile, and glass as well.

Warranty

Five (5) year warranty.

Certifications

The strips are UL Listed in compliance with UL 2108 and are listed for use in dry or damp locations.



Notes



COB LED Strip Lights

COB Series Single Color/CCT Strips

Single Color COB Strips

SAMPLE PART NUMBER BREAKDOWN

STN-BBLU-O32A-08L5M-24V

FAMILY / CATEGORY / COLOR			LED TYPE / SEGMENT		IP RATING	SIZE / DENSITY / VOLTAGE			
STN Strip Type	B Strip Type	BLU Color	O LED Type	32 LEDs/Segment	A IP Rating	08 Strip Width	L Density	5M Length	24V Voltage
STN: Non-weatherproof STW: Weatherproof	B: Single Color	BLU: Blue GRE: Green RED: Red	O: COB	32: 32 LEDs/seg	A: IP20 D: IP65	08: 8 mm	L: 512 LEDs/m	5M: 16.4 ft (5 m)	24V: 24 V

Single CCT COB Strips

SAMPLE PART NUMBER BREAKDOWN

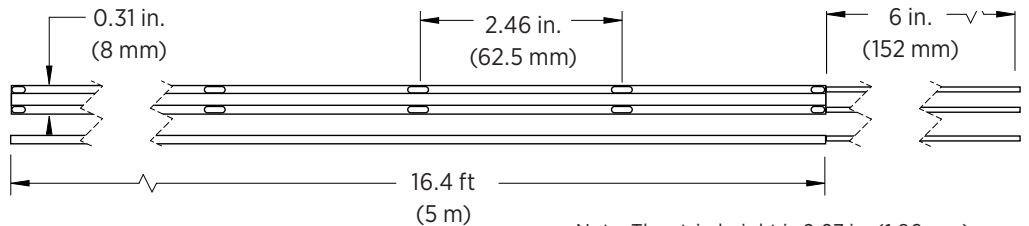
STN-A22K90-O32-08L5M-24V

FAMILY / CATEGORY / COLOR				LED TYPE / SEGMENT		IP RATING	SIZE / DENSITY / VOLTAGE			
STN Strip Type	A Strip Type	22K Color	90 CRI	O LED Type	32 LED/Segment	A IP Rating	08 Strip Width	L Density	5M Length	24V Voltage
STN: Non-weatherproof STW: Weatherproof	A: Single White	22K: 3000K 27K: 2700K 30K: 3000K 40K: 4000K 50K: 5000K 65K: 6500K	90: 90-94	O: COB	32: 32 LED/seg	blank: IP20 D: IP65	08: 8 mm	L: 512 LEDs/m	5M: 16.4 ft (5 m)	24V: 24 V

Dimensions

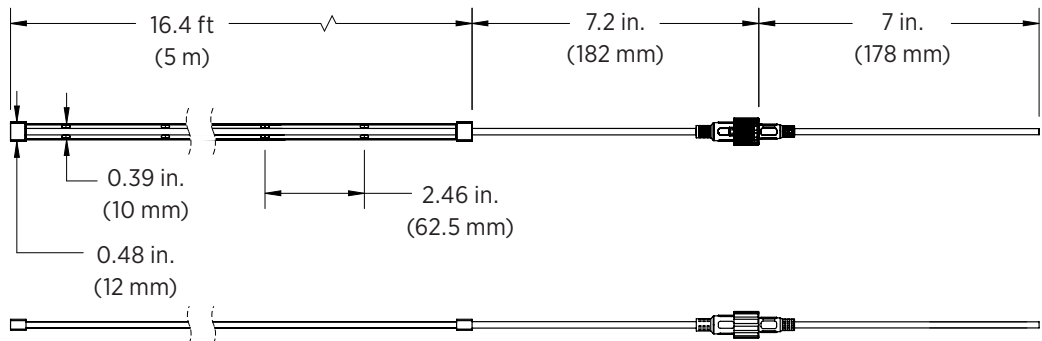
STN-Bx-O32A-08L5M-24V/
STN-AxK90-O32-08L5M-24V

- 16.4 ft (5 m) max run



STW-Bx-O32D-08L5M-24V/
STW-AxK90-O32D-08L5M-24V

- 16.4 ft (5 m) max run



COB LED Strip Lights

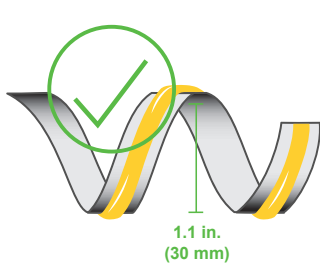
COB Series Single Color/CCT Strips

Specifications

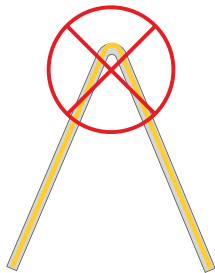
STN Model	STN-AxK90-O32-08L5M-24V						STN-Bx-O32A-08L5M-24V
	2200K	2700K	3000K	4000K	5000K	6500K	
Brightness	3,550 lm	3,900 lm	4,550 lm	4,950 lm	5,400 lm	5,750 lm	N/A
Intensity	216 lm/ft	238 lm/ft	277 lm/ft	302 lm/ft	329 lm/ft	351 lm/ft	N/A
CRI	90+						N/A
LED Density	156 LEDs/ft (512 LEDs/m)						
Wattage	50 W (3.05 W/ft)						
Current Draw	2.08 A (127 mA/ft)						
Beam Angle	180°						
Max Run	16.4 ft (5 m)						
LED Lifetime	30,000 Hours						
Operating Temperature	-4°-104° F (-20°-40° C)						

STW Model	STW-AxK90-O32D-08L5M-24V						STW-Bx-O32D-08L5M-24V
	2200K	2700K	3000K	4000K	5000K	6500K	
Brightness	2,950 lm	3,700 lm	3,750 lm	4,150 lm	4,250 lm	4,450 lm	N/A
Intensity	180 lm/ft	226 lm/ft	229 lm/ft	253 lm/ft	259 lm/ft	271 lm/ft	N/A
CRI	90+						N/A
LED Density	156 LEDs/ft (512 LEDs/m)						
Wattage	50 W (3.05 W/ft)						
Current Draw	2.08 A (127 mA/ft)						
Beam Angle	180°						
Max Run	16.4 ft (5 m)						
LED Lifetime	30,000 Hours						
Operating Temperature	-4°-104° F (-20°-40° C)						

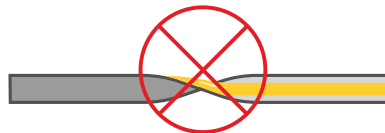
Strip Flexibility



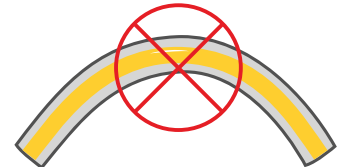
Bends less than 30 mm will damage circuit traces and void warranty.



Bending strips at sharp angles will damage circuit traces and void warranty.



Twisting strips will damage circuit traces and void warranty.



Bending strips on horizontal plane will damage circuit traces and void warranty.

