

Important: Read all instructions prior to installation.

LED Corn Bulb

Safety and Notes

- Product should be installed in accordance with applicable national, state, and local building and electrical codes.
- To reduce the risk of electric shock, ensure that the main power source and circuit breakers are switched off before performing any installation or wiring procedures.
- Avoid looking directly into the lamp when illuminated.
- Designed for direct wire installation only, bypassing existing ballasts where applicable.
- When removing existing ballast reference FIG 1 for wiring. Apply the provided label, after installation, in any visible location on the fixture.



CL-xK120-EX39

Specifications

Model	CL-xK27-EX39	CL-xK36-EX39	CL-xK45-EX39	CL-xK54-EX39	CL-xK63-EX39	CL-xK80-EX39	CL-xK100-EX39	CL-xK120-EX39
Operating Voltage	120–277 VAC							
Wattage	27 W	36 W	45 W	54 W	63 W	80 W	100 W	120 W
Base Type	EX39							
Operating Temperature	-40°–113° F (-40°–45° C)							
Dimmable	no							

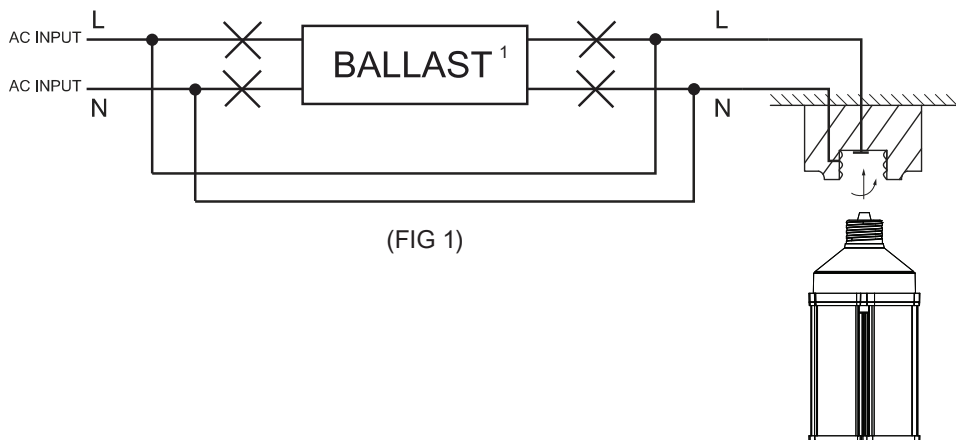
Retrofit Installation Instructions

This lamp should be used to replace existing incandescent, HPS/HID, and CFL/fluorescent lamps with an EX39 or E39 base only. When removing ballast, this product must be installed in accordance with applicable installation code(s) by a qualified electrician familiar with the construction and operation of product and the hazards involved.



CLASSIFIED
LUMINAIRE CONVERSION, RETROFIT
FOR USE ONLY WITH + IDENTIFIED IN
MANUFACTURER'S INSTRUCTIONS
Control No.

Wiring Diagram



¹ Igniters and capacitors should also be bypassed if applicable.

Safety Cable

