

**Important:** Read all instructions prior to installation.

## Fixture-Mounted Motion Sensor



### Safety and Notes

- Product should be installed and serviced in accordance with applicable national, state, and local building and electrical codes.
- To reduce the risk of electric shock, ensure that the main power source and circuit breakers are switched off before performing any installation or wiring procedures.

### Specifications

Model	BRI816-B-D
Maximum Detection Radius	26.2 ft (8 m)
Maximum Mounting Height	49.2 ft (15 m)
Operating Temperature	-40°–158° F (-40°–70° C)
Dimming	0–10 V <sup>1</sup>

Check product label for specific electrical specifications related to installation. Improper installation will void warranty.

<sup>1</sup>Lights that use a 1–10 V dimming driver will not completely turn off when at the zero setting on the sensor.

### DIP Switch Settings



Setting	Sensitivity	Time	Light	Standby Level	Standby Time
Switch Pair Position	1 and 2	3 and 4	5 and 6	7 and 8	9 and 10
↓ ↓	20%	10 seconds	disabled	0	always on
↓ ↑	50%	1 minute	10 lx	10	1 minute
↑ ↓	75%	5 minute	30 lx	30	30 minute
↑ ↑	100%	15 minute	50 lx	50	60 minute

**Sensitivity** adjusts detection area.

**Time** adjusts the amount of time between when motion is detected and when the light enters standby mode.

**Light** adjusts the daylight threshold which allows the light to stay off if motion is detected and the room is already sufficiently illuminated.

**Standby Level** adjusts the dimming level of the light during standby mode. It should be noted that “0” setting on a 1–10 V light will result in the light being set at 10% as the driver in this case cannot dim beyond this level.

**Standby Time** adjusts the amount of time the light stays in standby mode before shutting off completely.

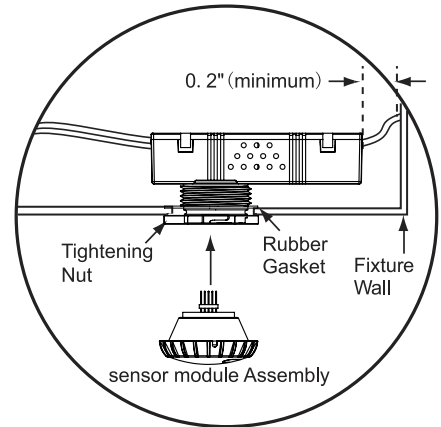
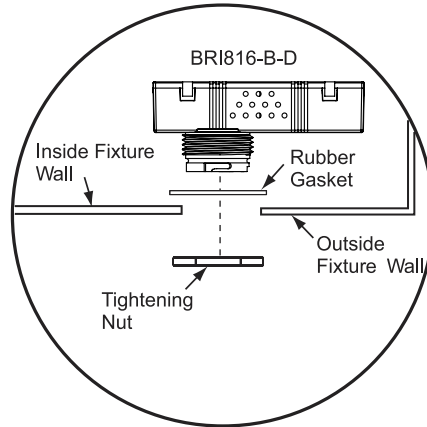


**Important:** Read all instructions prior to installation.

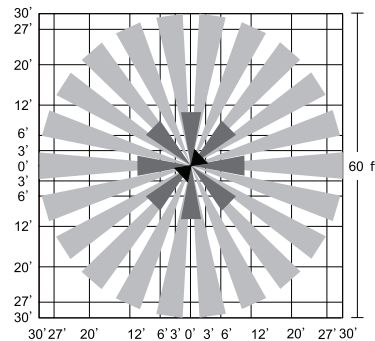
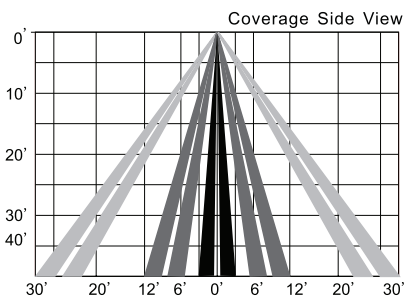
## Fixture-Mounted Motion Sensor

### Installation

1. Remove supply power from fixture.
2. Remove two bolts to open access panel.
3. Drill 1 5/16 in. hole in pre marked area.
4. Place module through hole, then install rubber gasket and locking nut.
5. Plug sensor into module.
6. Wire using wiring diagram below.
7. Close and secure panel then reapply supply power.



### Sensor Coverage



### Wiring Diagram

