

**Important: Read all instructions prior to installation.**

## LED Bollard Light



BLRK-FL1-30K25BR740

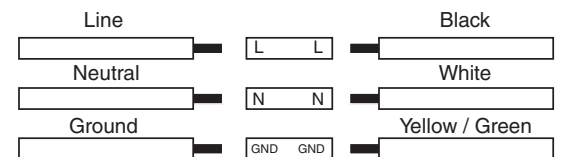
### Safety and Notes

- Product should be installed and serviced by a certified electrician in accordance with applicable national, state, and local building and electrical codes.
- To reduce the risk of electric shock, ensure that the main power source and circuit breakers are switched off before performing any installation or wiring procedures.
- Ensure all mounts are securely attached and will support the weight of the fixture. Failure to properly support fixture may result in damage or injury, for which the manufacturer does not assume responsibility.

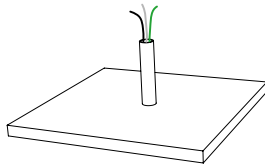
### Specifications

Check product label for specific electrical specifications related to installation.  
Improper installation will void warranty.

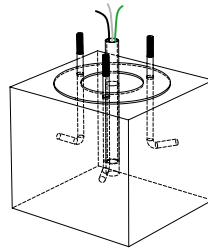
### Wiring Diagram



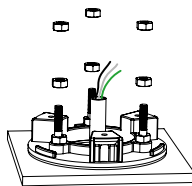
### Installation



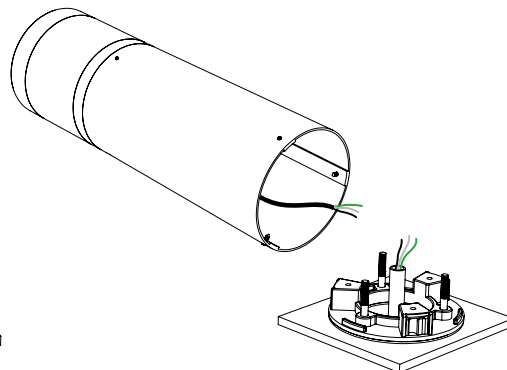
1. Install conduit in intended location.



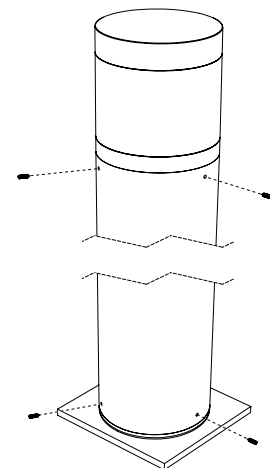
2. Place rods around conduit and encase in concrete/cement with about 1.5–2 inches of thread exposed. Use provided alignment guide to ensure proper spacing. Note: Make certain rods are level before concrete/cement sets.



3. Remove alignment guide once concrete/cement is set. Then, place mounting base over exposed rods and secure with provided hardware.



4. With supply power off, connect wiring.



5. Place bollard onto mounting base, making certain set screw holes align. Install set screws to secure bollard in place.

