

## BLRK Series

Round Integrated LED Bollard with Louvers

Project \_\_\_\_\_

Date \_\_\_\_\_ Type \_\_\_\_\_



### Available Models

- BLRK-FL1-30K25BR740
- BLRK-FL1-40K25BR740
- BLRK-FL1-50K25BR740

### Part Number Breakdown

Example: BLRK-FL1-30K25BR740

Family	Design	Color Temperature	Wattage	Finish	Size
BLRK	FL1 [flat top design]	30K [3000K] 40K [4000K] or 50K [5000K]	25 [25 W]	BR [RAL 8014, brown]	740 [6.6 in. diameter, 39.5 in. tall]



### Description

Architectural-grade BLRK series LED Bollard illuminates pathways, entryways, and parking lots for commercial locations. Integrated LEDs and louver optics project downward light for ideal illumination and increased pedestrian safety. Die cast aluminum housing withstands outdoor conditions, while sealed lens prevents condensation or fogging. With better efficacy and reliability than traditional metal-halides, it eliminates the hassle of replacing bulbs and ballasts in rusty old bollards.

### Mechanical

- 6.6" round extruded aluminum housing
- Brown (RAL 8014) powder-coated finish provides superior resistance to corrosion and weathering
- Operating Temperature of -22°-140° F
- Includes 3 sleeve anchor bolts for retrofitting existing concrete installations
- Optional 10 in. masonry "L" hook anchor bolts and template plate for new installations

### Optics

- UV-resistant gasketed polycarbonate lens provides optimal light transmission and protection
- Internal PMMA diffuser
- 360° aluminum louvers minimizes glare and uplight

### Electrical

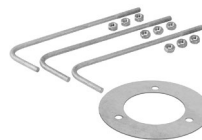
- 11 in. power cord with liquid-tight junction box for power connection
- 100-277 VAC input voltage range
- ≥0.9 power factor
- 80+ Color Rendering Index (CRI)
- Available in 3000K, 4000K or 5000K delivering 1,850 lumens
- 50,000 hour (L70) rated life

### Applications

These easily replace existing metal-halide, high-pressure sodium, and fluorescent bollards and are also great for new construction using the optional installation kit. They are great for building entryways and perimeters, walking paths, pedestrian plazas and parks, as well as any general path lighting in municipal, educational, residential, and commercial locations.

### Installation Kit (purchased separately)

- BLRK-BKT



### Warranty

Five (5) Year Warranty

### Certifications and Compliances

These bollards are ETL Listed in compliance with UL 1598. They are also IP65 rated for installation in wet environments.



T 314.743.3067

F 314.972.6202

email: commercial-sales@superbrightleds.com

www.superbrightleds.com/cat/industrial-led-lighting/

Rev V1 Date: 9/14/2020

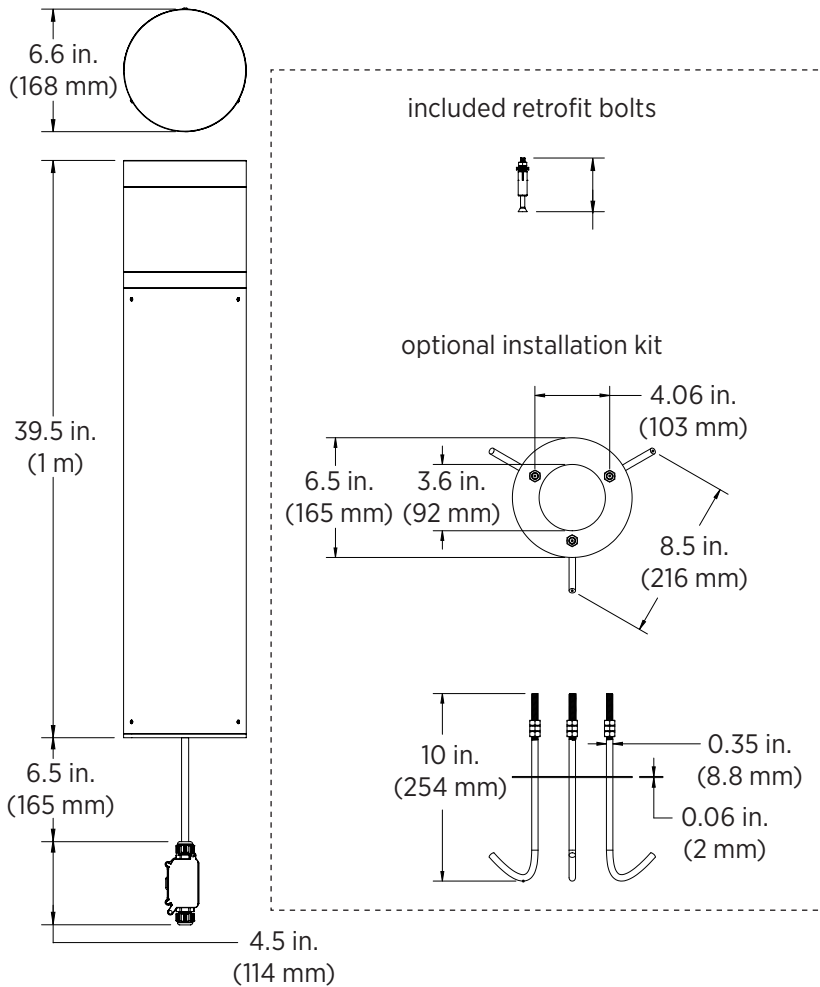
Specifications are subject to change without notice.

Printed in the U.S.A.

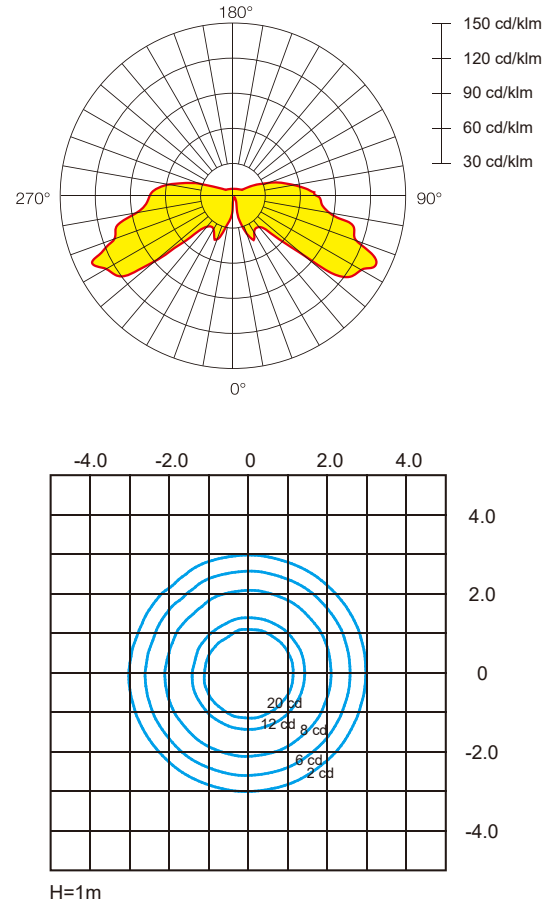
## BLRK Series

Round Integrated LED Bollard with Louvers

### Dimensional Drawing



### Photometrics



### Specifications

Model	BLRK-FL1-xK25BR740
Intensity	1,850 lm
Efficacy	74 lm/W
Operating Voltage	100-277 VAC
Power Consumption	25 W
Current Draw	208 mA @ 120 VAC/ 90 mA @ 277 VAC
Color Temperature	3000K, 4000K or 5000K (as ordered)
Beam Angle	symmetrical (360° H x 60° V)
BUG Rating	B1-U3-G1
CRI	80+
Dimming	none
Environmental Rating	IP65
Ambient Operating Temperature	-22°-140° F (-30°-60° C)
Rated Life (L70)	50,000 hours

T 314.743.3067

F 314.972.6202

email: commercial-sales@superbrightleds.com

www.superbrightleds.com/cat/industrial-led-lighting/

