



ALD-50K30W-C-BRC3-FM

Features

- 100–277 VAC and 200–480 VAC models available
- DLC Premium - ≥140 lm/W
- 1–10 V dimmer compatible
- ≥80 CRI
- L70 rated 50,000 hour lifetime
- Wide variety of mounting options available

Construction

Features a low-profile aluminum body and swappable polycarbonate lens design. Engineered for minimal wind resistance.

Application

Easily replaces traditional shoebox area/parking lot lights. Type III-M distribution and the these ideal for many applications including factories, warehouses, and other large, high ceiling spaces.

Output Equivalencies

ALD-xK10W-C-BRC3	250 W MH
ALD-xK15W-C-BRC3	400 W MH
ALD-xK19W-C-BRC3	750 W MH
ALD-xK30W-C-BRC3	1,000 W MH
ALD-xK40W-B-BRC3	1,500 W MH
ALD-xK50W-B-BRC3	2,000 W MH

Warranty

Five (5) Year Warranty

Certifications and Compliances

DesignLights Consortium listed as DLC Premium, UL Listed for damp or dry locations, and RoHS compliant.



T 314.743.3067

F 314.972.6202

email: commercial-sales@superbrightleds.com

www.superbrightleds.com/cat/industrial-led-lighting/

Available Models²

- ALD-50K10W-C-BRC3
- ALD-50K15W-C-BRC3
- ALD-50K19W-C-BRC3
- ALD-50K30W-C-BRC3
- ALD-50K40W-B-BRC3³
- ALD-50K50W-B-BRC3³

Mounting Style

- SF (Standard Knuckle Slipfitter)
- SFS (Photocell Knuckle Slipfitter)
- FM (Square/Round Pole Arm)
- FB (U-Bracket/Flood)

Part Number Breakdown

Example: ALD-50K40W-B-BRC3-FM

Family	Color Temperature	Wattage	Voltage	Mount
ALD	50K [5000K]	10W [100 W]	C-BRC3 [120–277 VAC]	-SF -SFS -FM or -FB ³
		15W [150 W]		
		19W [185 W]		
		30W [300 W]		
		40W [400 W]	B-BRC3 [200–480 VAC]	
		50W [500 W]		

Optional Accessories

Mounting Options¹

- Knuckle Slipfitter Mount (ALD-SF)
- Knuckle Slipfitter Photocell Style Mount (ALD-SFS)
- Square/Round Fixed Arm Pole Mount (ALD-FM)
- U-Bracket/Flood Mount³ (ALD-FB)

Alternate Lenses (required number varies by light)

- Type II-M (ALD-LENS-2M)
- Type III-S (ALD-LENS-3S)
- Type IV-M (ALD-LENS-4M)
- Type V-M (ALD-LENS-5M)
- Nema 6x5 (ALD-LENS-NEMA-6x5)

Notes

¹ bundled with lights, but also available for purchase separately

² Contact customer service if interested in options other than those listed.

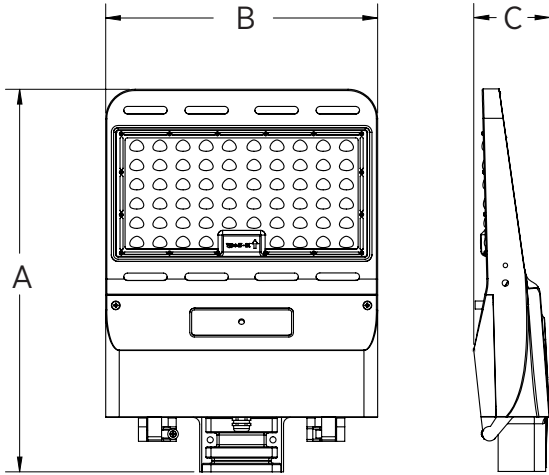
³ 100–300 W models only

LED Parking Lot/Area Light

ALD Series Specifications

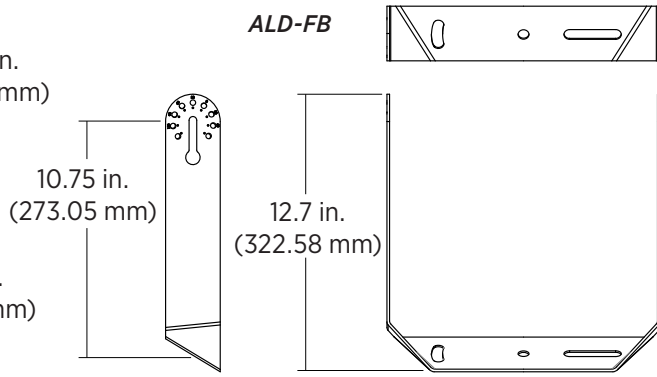
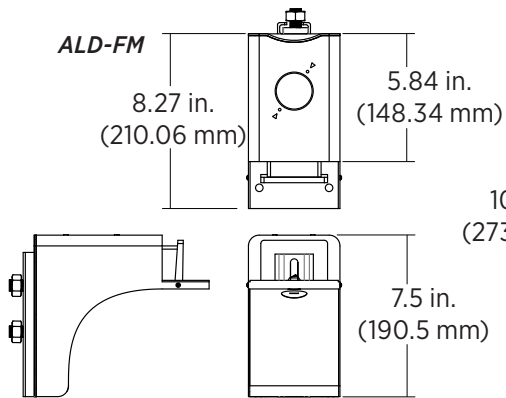
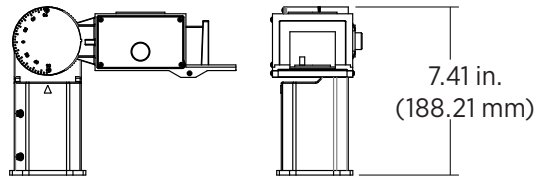
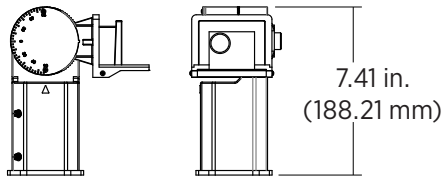
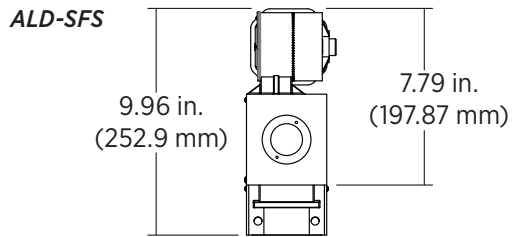
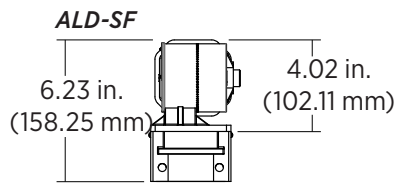
Dimensional Drawings

Lights



Model	Length (A)	Width (B)	Height (C)
ALD-50K10W-C-BRC3	16.88 in. (428.71 mm)	12 in. (304.8 mm)	3.46 in. (87.88 mm)
ALD-50K15W-C-BRC3			
ALD-50K19W-C-BRC3			
ALD-50K30W-C-BRC3	21.94 in. (557.34 mm)	12 in. (304.8 mm)	3.46 in. (87.88 mm)
ALD-50K40W-B-BRC3	30.54 in. (775.65 mm)	13.38 in. (339.85 mm)	4.16 in. (105.66 mm)
ALD-50K50W-B-BRC3			

Mounts



LED Parking Lot/Area Light

ALD Series Specifications

Specifications

Model ALD-	xK10W-C-BRC3	xK15W-C-BRC3	xK19W-C-BRC3	xK30W-C-BRC3	xK40W-B-BRC3	xK50W-B-BRC3
Intensity	14,000 lm	21,000 lm	29,500 lm	42,000 lm	56,000 lm	70,000 lm
Operating Voltage	100-277 VAC				200-480 VAC	
Power Consumption	100 W	150 W	185 W	300 W	400 W	500 W
Current Draw	0.83 A @ 120 VAC	1.25 A @ 120 VAC	1.54 A @ 120 VAC	2.5 A @ 120 VAC	0.83 A @ 480 VAC	1.04 A @ 480 VAC
Efficacy	≥140 lm/W					
Color Temperature	5000K					
Beam Pattern	III-M (other options available)					
CRI	≥80					
Power Factor	≥90					
Dimming	1-10 V					
Environmental Rating	IP66					
Ambient Operating Temperature	-40°-131° F (-40°-55° C)					
Product Weight ⁴	8 lb 13 oz (4 kg)			15 lb 6 oz (7 kg)	24 lb 7 oz (11.1 kg)	
Rated Life (L70)	50,000 hours					

⁴ Add 3-4 lb (1.4-1.8 kg) for weight including mounting bracket.

T 314.743.3067

F 314.972.6202

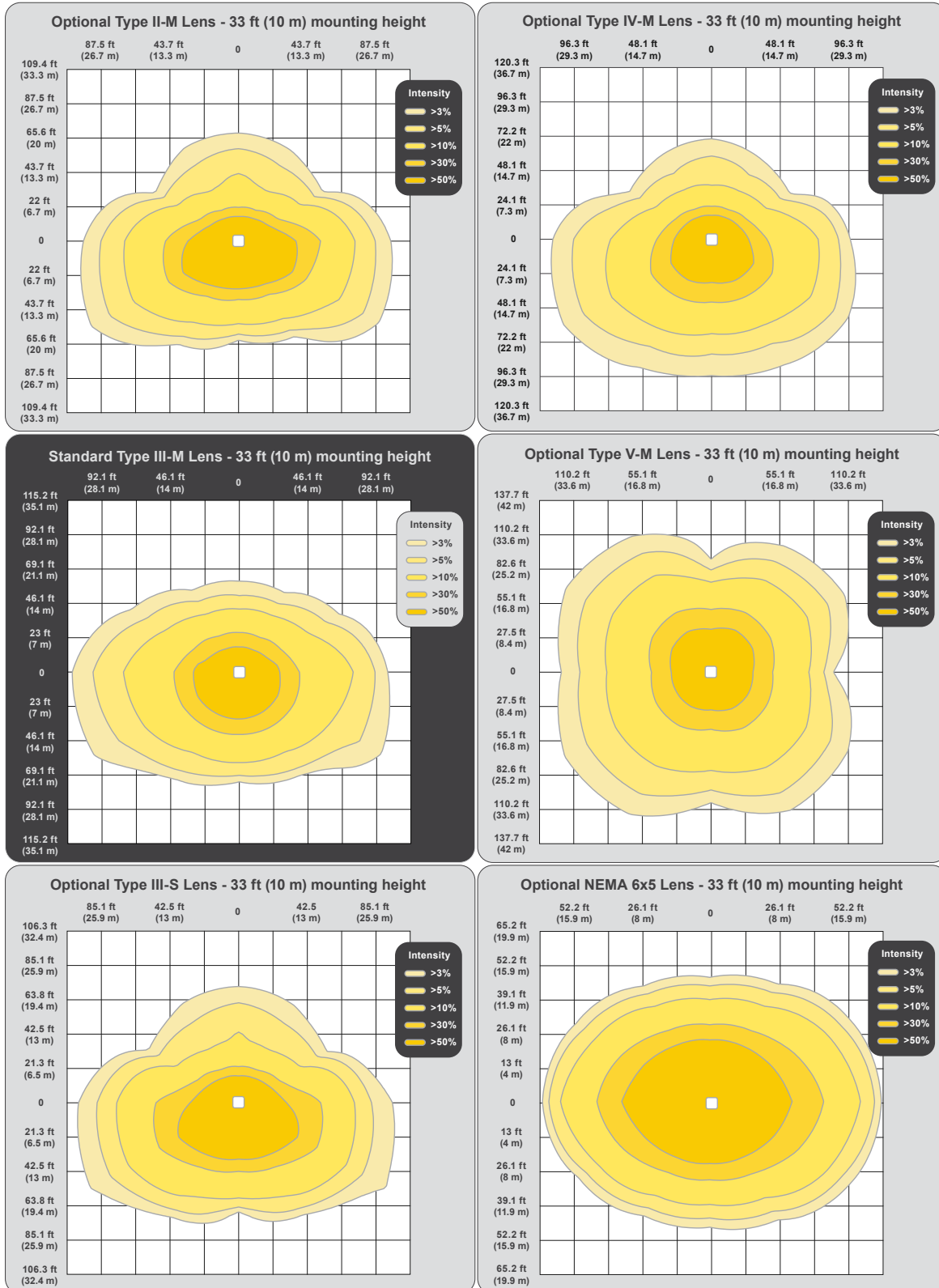
email: commercial-sales@superbrightleds.com

www.superbrightleds.com/cat/industrial-led-lighting/



Optics

Light Distribution Pattern by Lens Type⁵



⁵Test data from 185 W light. Relative distribution similar on all models, although intensity in specific areas will vary.

T 314.743.3067

F 314.972.6202

email: commercial-sales@superbrightleds.com

www.superbrightleds.com/cat/industrial-led-lighting/

Specifications are subject to change without notice.

