

Important: Read all instructions prior to installation.

Adjustable LED Corn Bulb

Safety and Notes

- Product should be installed in accordance with applicable national, state, and local building and electrical codes.
- To reduce the risk of electric shock, ensure that the main power source and circuit breakers are switched off before performing any installation or wiring procedures.
- Avoid looking directly into the lamp when illuminated.
- Designed for direct wire installation only, bypassing existing ballasts where applicable.
- When removing existing ballast reference FIG 1 for wiring. Apply the provided label, after installation, in any visible location on the fixture.
- Make sure to attach safety cable to secure location during installation.
- Remove module/sensor when adjusting light panel angle to avoid potential damage to module/sensor. Do not remove module/sensor when lamp is connected to power.

Specifications

Model	ACL-50K60W-EX39	ACL-50K90W-EX39
Operating Voltage	120–277 VAC	
Wattage	60 W	90 W
HID Equivalency	175 W	250 W
Base Type	EX39	
Operating Temperature	-40°–113° F (-40°–45° C)	
Dimmable	only with optional sensor (sold separately)	

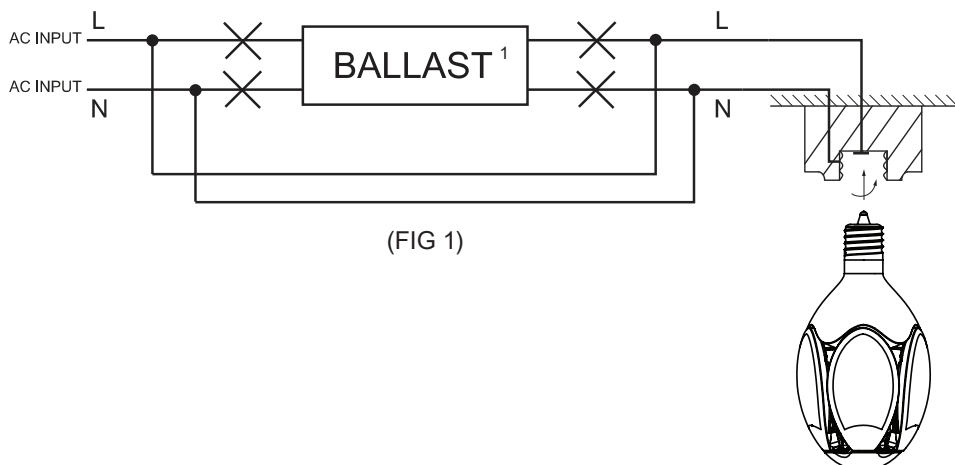


ACL-50K60W-EX39

Retrofit Installation Instructions

This lamp should be used to replace existing incandescent, HPS/HID, and CFL/fluorescent lamps with an EX39 or E39 base only. When removing ballast, this product must be installed in accordance with applicable installation code(s) by a qualified electrician familiar with the construction and operation of product and the hazards involved.

Wiring Diagram



¹ Igniters and capacitors should also be bypassed if applicable.



Important: Read all instructions prior to installation.

Adjustable LED Corn Bulb

Light Module / Motion Sensor Installation

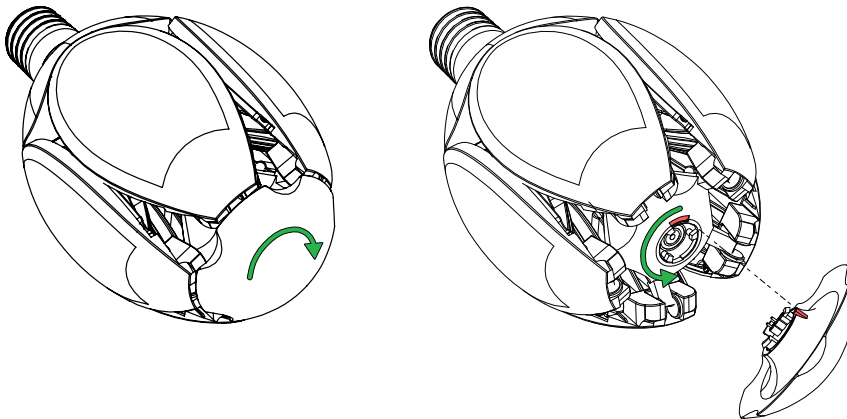
Removal

Remove light module by rotating clockwise until loose then gently pull light module away from lamp.

Installation

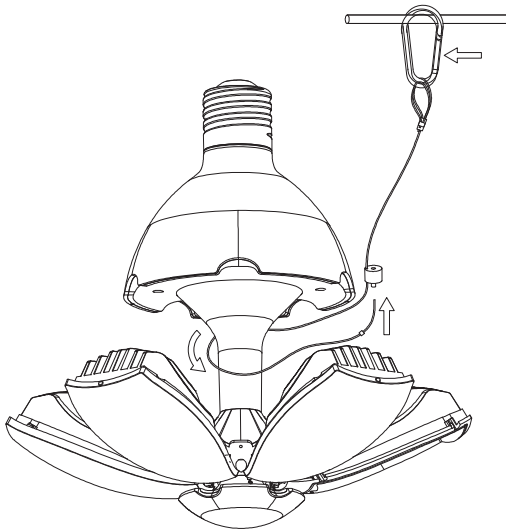
To install light module or motion sensor, align locating tab on module/sensor with lamp's locating slot.

Gently push module/sensor onto lamp and turn counterclockwise until module/sensor is locked in place.



Safety Latch Instructions

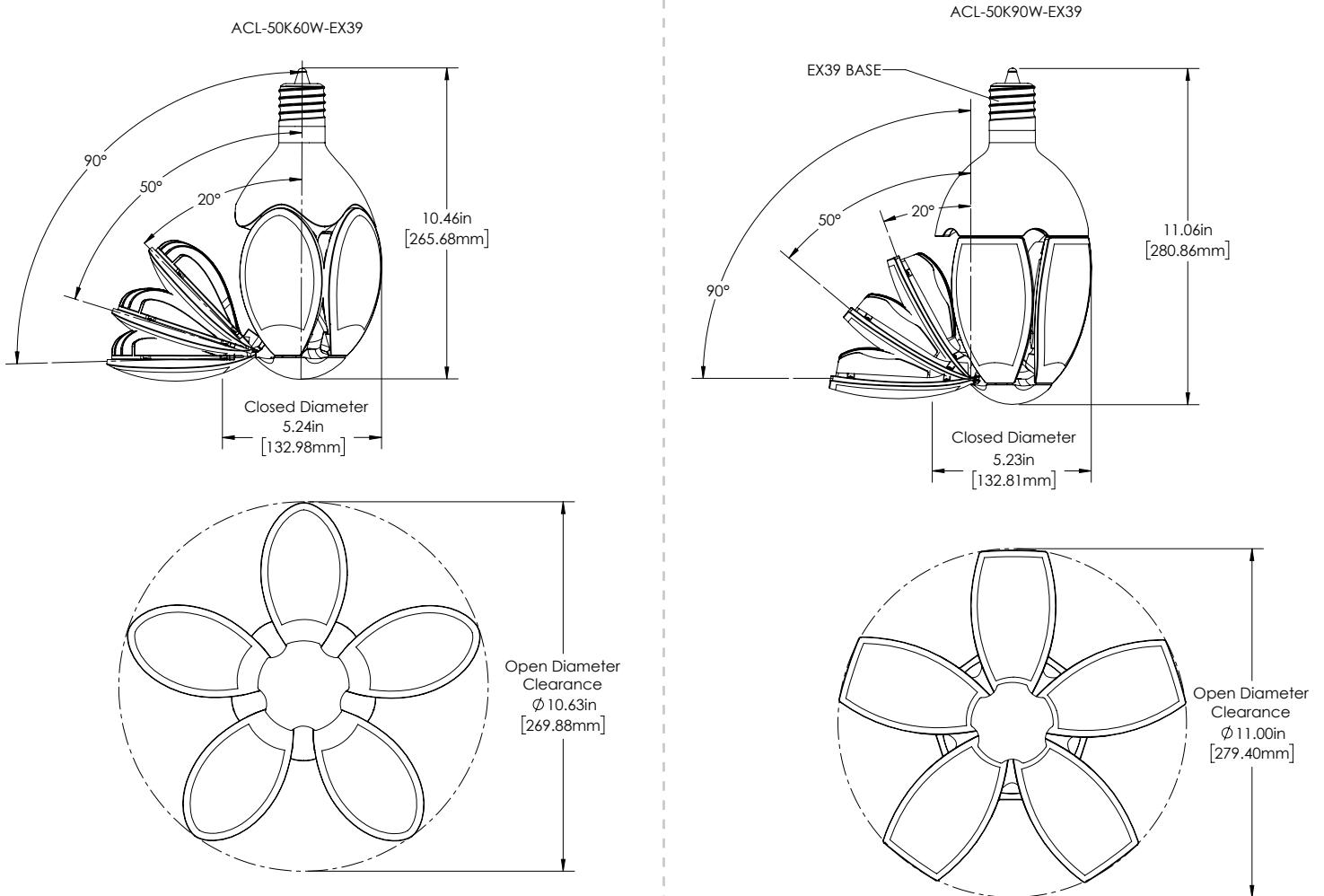
Run the safety cable around the shaft of the light and insert loose end into cable lock to create a secure loop. Ensure carabiner end of cable is attached to a secure anchor point.



Important: Read all instructions prior to installation.

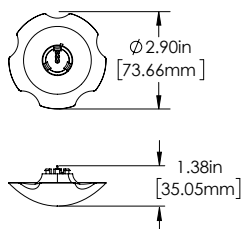
Adjustable LED Corn Bulb

Dimensional Diagram



Accessory Dimensional Diagram

ACL-SENSOR1, ACL-SENSOR2



Accessories	ACL-SENSOR1	ACL-SENSOR2
Compatible Bulb	ACL-50K60W-EX39	ACL-50K90W-EX39
Detection Range	0–26.25 ft (0–8 m)	0–45.93 ft (0–14 m)
Detection Angle	120°	
Dimming Function	30% after 5 minutes of inactivity	

