

Part Number:
LP-SMK3030
LP-SMK6030

Important: Read all instructions prior to installation.

LED Panel Light Mounting Bracket Kits

Parts Included

- 4 - Aluminum Sides
- 8 - #4 x .5" L Screws
- 4 - Anchors

Description

Light weight, aluminum Brackets for mounting your panel light in your RV, toy hauler, enclosed trailer, big rig truck, or workbenches. Mounting accessory 12V Panels (LP-x3030-35-12V, LP-x3040-40-12V)

Installation

1. Assemble 4 sides of frame using the #4 x .5 L Screws. (see Fig.1)
2. Hold frame on surface where it is to be mounted and mark through mounting holes.
3. Install frame. While anchors are provided for use in mounting, they are not appropriate for all applications.
4. Remove one end of frame. Install panel and re-install end of frame.

Features



Dimensional Drawing

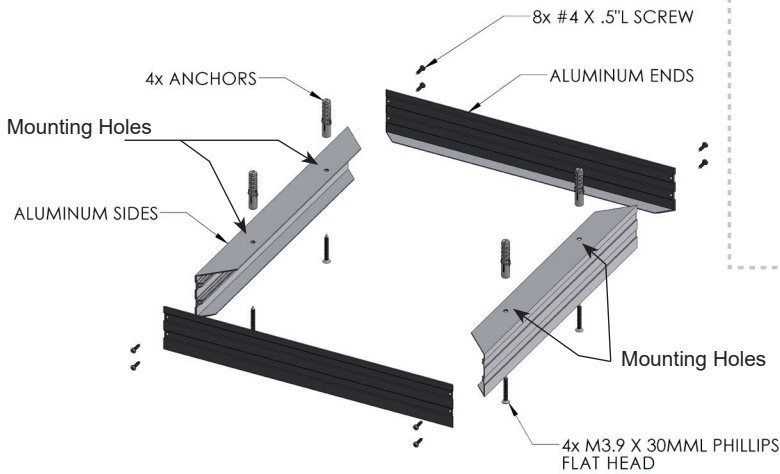
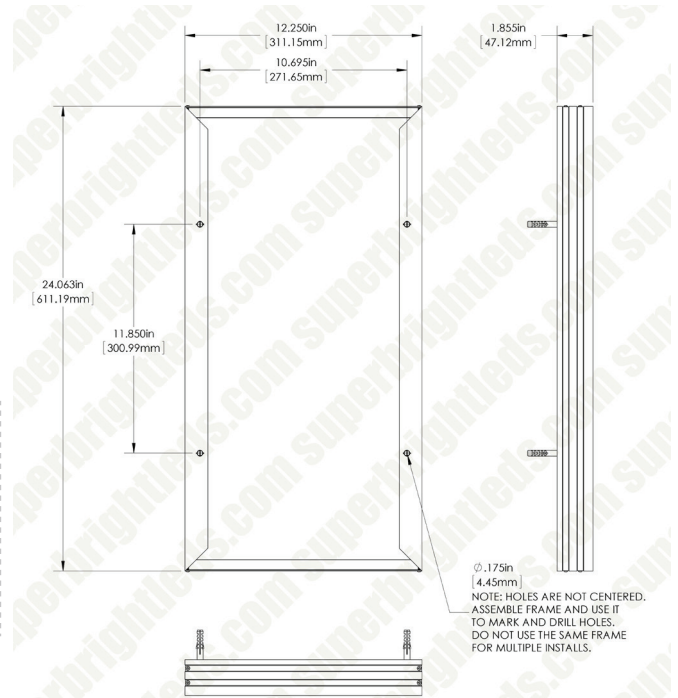
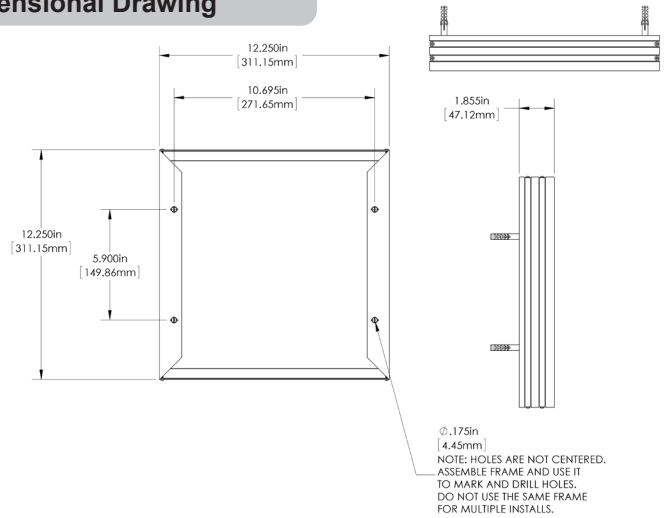


FIG 1

